

MICRO SWITCH
a Honeywell Division

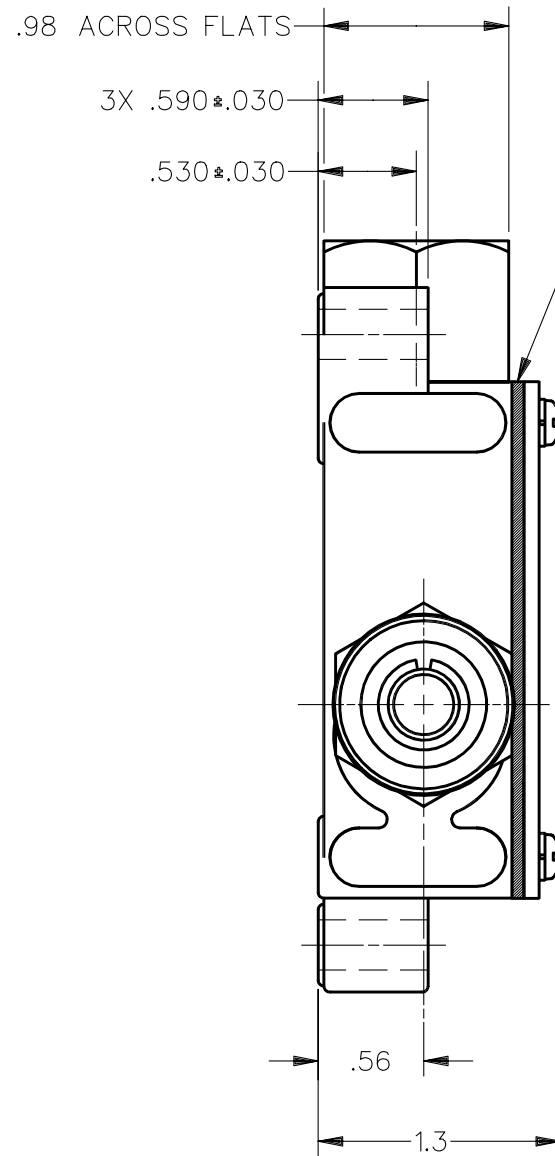
SWITCH - ENCLOSED

CATALOG LISTING
BAF1-2RN-LH

(LEFT HAND)

FED. MFG. CODE 91929

DDM/CAD
 DRAWN
 MAM 16OCT92
 CHECK
 WLS 23OCT92
 CHECK
 REVISIONS
 C C073287M
 J A F
 8 MAY 95
 B 77179B
 CO
 21 FEB 94
 K D R
 MAM
 16 OCT 92
 A C073751
 ISSUE
M
 20
 CATALOG LISTING
BAF1-2RN-LH
 PAGE 1 OF 1
 RELEASE NO.
 REPLACES
 (LEFT HAND)



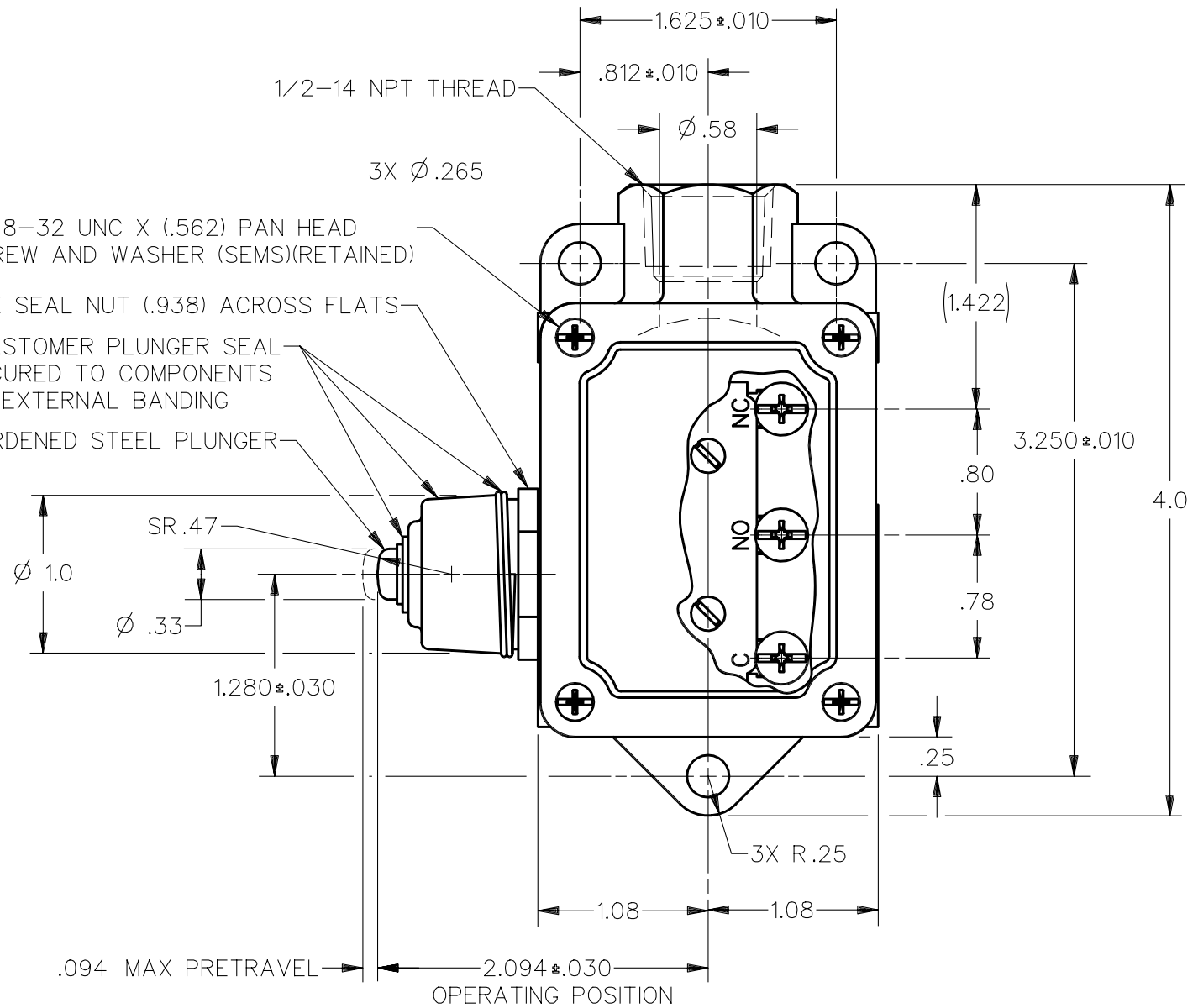
GASKET TYPE SEAL BETWEEN COVER AND HOUSING

4X 8-32 UNC X (.562) PAN HEAD SCREW AND WASHER (SEMS)(RETAINED)

HEX SEAL NUT (.938) ACROSS FLATS

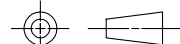
ELASTOMER PLUNGER SEAL SECURED TO COMPONENTS BY EXTERNAL BANDING

HARDENED STEEL PLUNGER



THIS DRAWING COVERS A PROPRIETARY ITEM AND IS THE PROPERTY OF MICRO SWITCH, A DIVISION OF HONEYWELL. THIS DRAWING IS NOT TO BE COPIED OR USED WITHOUT THE APPROVAL OF MICRO SWITCH

THIRD ANGLE PROJECTION



CHARACTERISTICS

ELECTRICAL DATA

OPERATING FORCE --- 2 1/2 LBS MAX
 RELEASE FORCE --- 1/2 LB MIN
 DIFFERENTIAL TRAVEL --- .010 MAX
 OVERTRAVEL --- .219 MIN
 BASIC SWITCH REPLACEMENT ---
 --- BA-2R708-P7

CONTACT ARRANGEMENT
 S P D T
 L23 20A 125, 250 OR 480 VAC
 10A 125 VAC "L"
 1HP 125 VAC, 2HP 250 VAC
 1/2A 125 VDC, 1/4A 250 VDC

SCALE FULL
 DO NOT SCALE PRINT
UNLESS OTHERWISE SPECIFIED TOLERANCES ARE
 ONE PLACE (.0) ±.030
 TWO PLACE (.00) ±.015
 THREE PLACE (.000) ±.005
 ANGLES ±
 WEIGHT .500 LB

NOTE
 1 - 8-32 UNC X (.219) BINDER HEAD COMBINATION, TERMINAL SCREWS AND CUPWASHERS



ANSI Y14.5M-1982 APPLIES